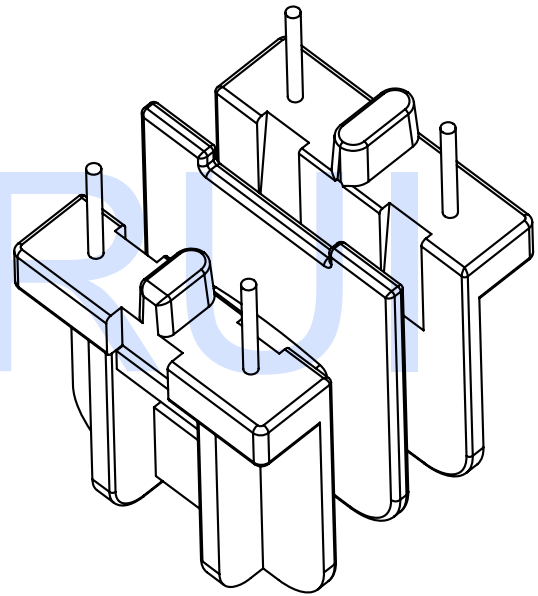
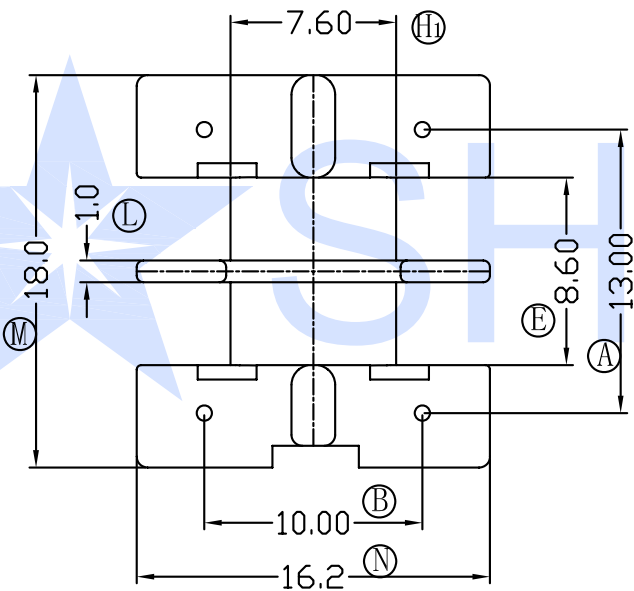
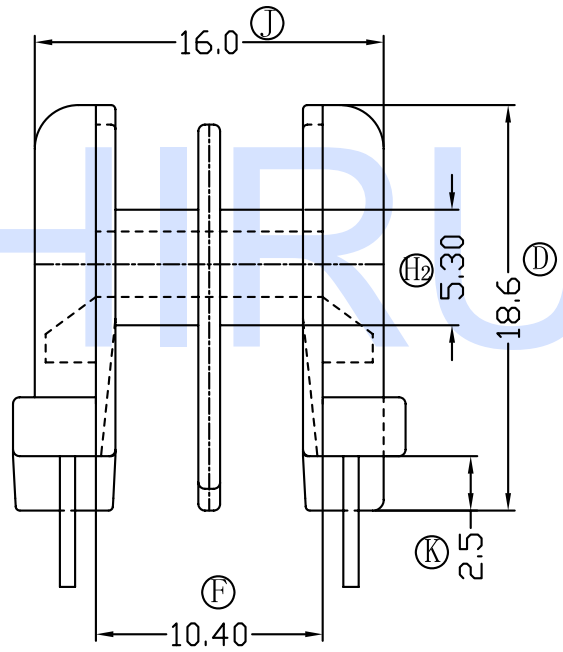
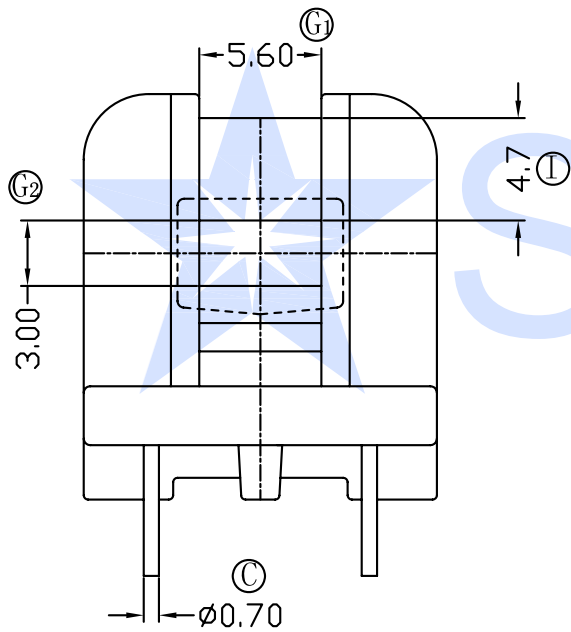


P/N

SR-UU 1052

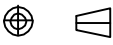


Hefei Shirui Electronic Technology Co.,Ltd

TEL:(0086) 55165232650

sales@shiruitech.com

www.shiruitech.com

SR NO. SR-UU 1052	MATERIAL: PHENOLIC	UNIT: mm	DRN.	WILL H
MODEL NAME: UU-10.5-2S H	UL REC: UL 94V-0	TOLERANCE	CHD.	IRINA LEE
	ANGLE: \pm°  SCALE 1:1	0 L 4 ± 0.10 4 L 16 ± 0.20 16 L 64 ± 0.30 PIN PITCH ± 0.05	ISSD.	JAMES HU